



DORUK-20-M15A (2 rows shelves + Base)

OPEN MERCHANDISERS

FRUIT AND VEGETABLES



Remote Open Front Multideck Merchandiser

Standard features

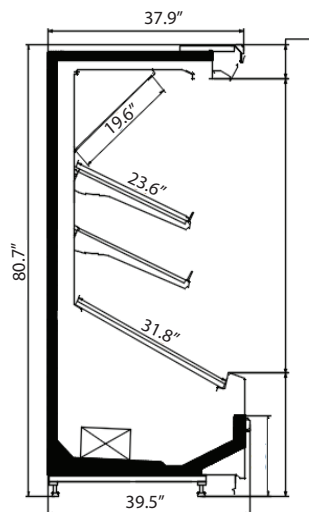
- Remote Open Merchandiser
- Externally Equalized TXV
- Thermostat Electronic Control
- Manual Night Curtain
- LED Lights
- Wellington ERC2 electronic fan motor
- Stainless Steel Bottom Floor and Fan Cover,
Evaporator Box with Heating Element and Evaporator Cover
- Electrostatic Powdered Paint For Both Interior-Exterior (choice of colors Black or White)

Dimensions

| Model | DORUK-20-M15A-4 | DORUK-20-M15A-6 | DORUK-20-M15A-8 | DORUK-20-M15A-10 | DORUK-20-M15A-12 |
|------------------|-----------------|-----------------|-----------------|------------------|------------------|
| Length (inches) | 49" | 74" | 98" | 123" | 148" |
| Depth (inches) | 39.5" | 39.5" | 39.5" | 39.5" | 39.5" |
| BTU per foot | 1415 | 1415 | 1415 | 1415 | 1415 |
| Power | 220V 60HZ 1ph | 220V 60HZ 1ph | 220V 60HZ 1ph | 220V 60HZ 1ph | 220V 60HZ 1ph |
| Amperage | 0.28A | 0.41A | 0.56A | 0.69A | 0.85A |
| Evaporating Temp | -4C | -4C | -4C | -4C | -4C |

Above mentioned measurement are from internal part of the equipment. Side panel will be extra Add approximately 2" each side for side panel thickness.

Technical Drawings



* Customizable options available; * Multiple shelves available; * All measurements are approximates; * Specifications are subject to change without notice; * All equipment are designed to operate in a controlled environment below 75°F (+24°C) temperature and HR 55% relative humidity;

