

MINDOS-SUPERSTRUCTURE

ISLAND FREEZERS - REMOTE

Remote Island Freezer with 2 Row Top Shelves

Standard features

- Remote
- Manual Night Curtain
- Price Tag Holder in Front of Middle Desk
- Wire Dividers, Wire Floor
- Triple Glazed Side Wall Right/Left
- Superstructure With Led Lighting
- Externally Equalized TXV
- Thermostat Electronic Control
- Including 2 levels Shelves
- Undershelf 4000k Bar Led Light
- Wellington ERC2 Electronic fan motor
- Stainless Steel Bottom Floor
- Stainless Steel Evaporator Box with Heating Element and Evaporator Cover
- Electrostatic Powdered Paint For Both Interior-Exterior (choice of colors Black or White)

Dimensions

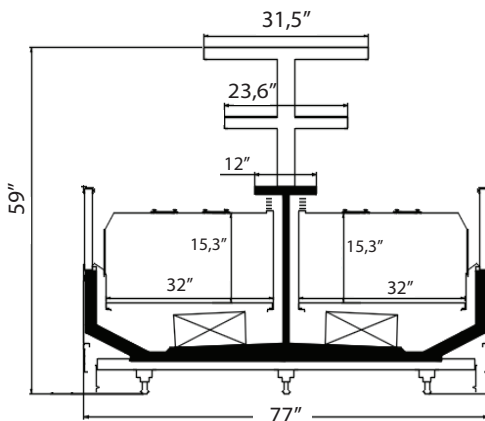
Model	MINDOS-12
Length (inches)	148"
Depth (inches)	77"
BTU/h	10885
BTU per Foot	885
Power	220V 60HZ 1ph
Amperage	36A
Evaporating Temp	-35C

Above mentioned measurement are from internal part of the equipment. Side panel will be extra Add approximately 2" each side for side panel thickness.

MINDOS-12: Light Power: 96w x2, Evap. Fan Power: 78w x2, Trim Heaters: 810w x2, Defrost Heaters: 6960w x2



Technical Drawings



* Customizable options available; * Multiple shelves available; * All measurements are approximates; * Specifications are subject to change without notice; * All equipment are designed to operate in a controlled environment below 75°F (+24°C) temperature and HR 55% relative humidity;