



# SARINA

MEAT / DELI / CHEESE / SALAD CASES



## Service Meat Case

### Standard features

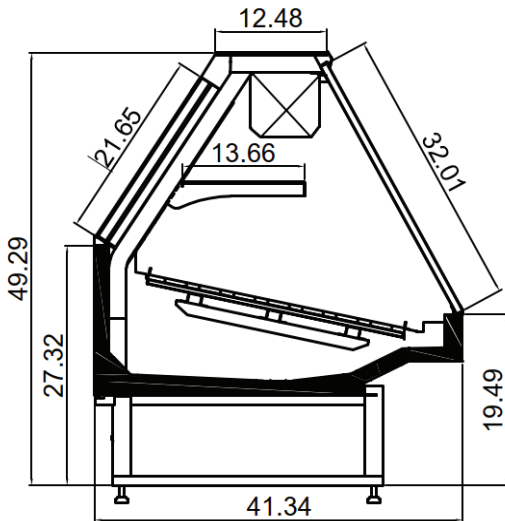
- Remote
- Stainless Steel Interiors
- Stainless Steel Shelf
- Thermostat Electronic Control
- Double Glass Sides and Front
- LED Lights on the Top and on the Shelf
- Gravity Double Coil
- Front-Openable Glass
- Stainless Steel Bottom Floor
- Electrostatic Powdered Paint For Exterior
- Externally Equalized TXV
- Black or White Painted Outside
- Stainless Steel Outside (optional)

### Dimensions

Model	SARINA-6	SARINA-8	SARINA-12
Length (inches)	74"	98"	148"
Width (inches)	41"	41"	41"
BTU per foot	571	571	571
Power	220V 60HZ 1ph	220V 60HZ 1ph	220V 60HZ 1ph
Amperage	4.68A	6.24A	9.36A
Evaporating Temp	-9C	-9C	-9C

Above mentioned measurement are from internal part of the equipment. Side panel will be extra Add approximately 2" each side for side panel thickness.

### Technical Drawings



\* Customizable options available; \* Multiple shelves available; \* All measurements are approximates; \* Specifications are subject to change without notice; \* All equipment are designed to operate in a controlled environment below 75°F (+24°C) temperature and HR 55% relative humidity;